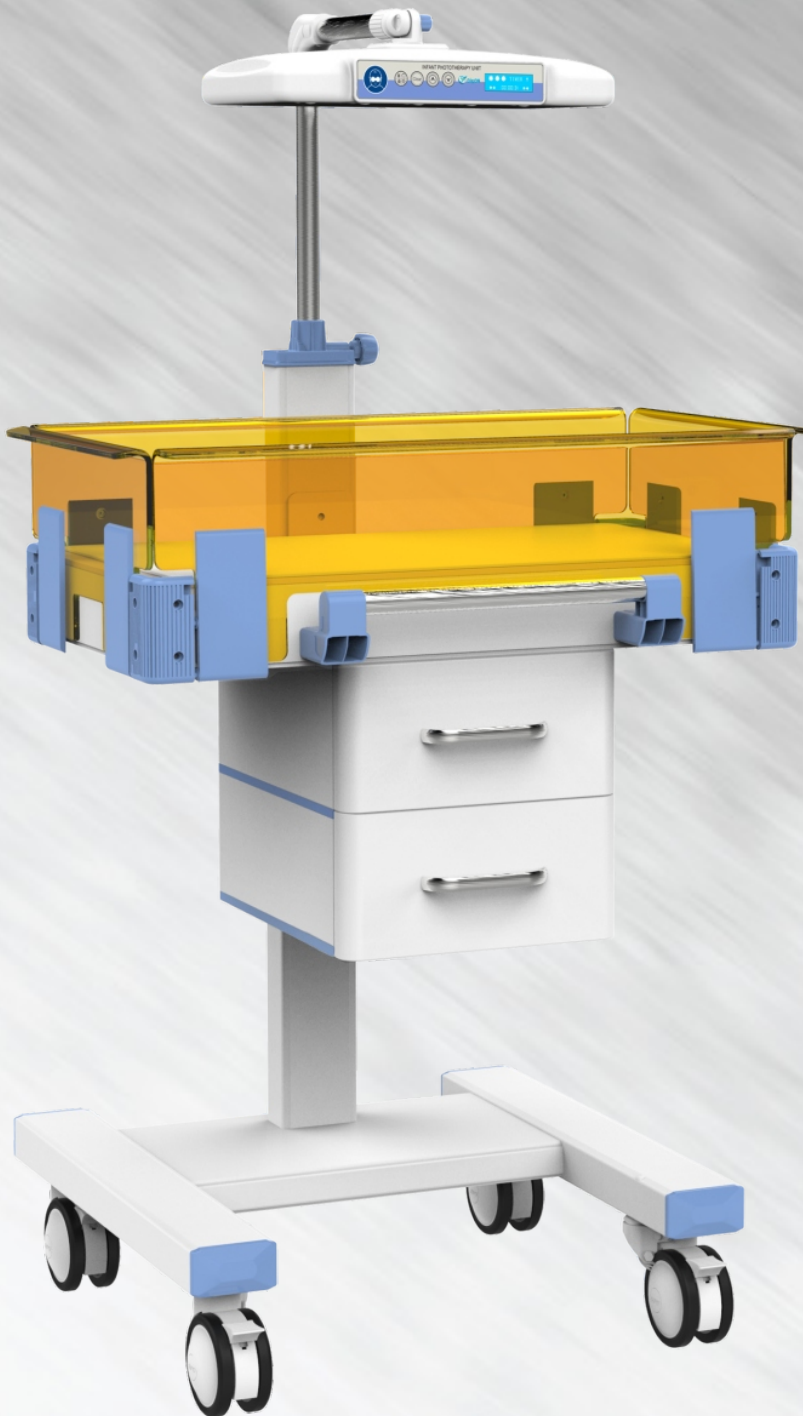




ESBL-200D

Infant Phototherapy Unit

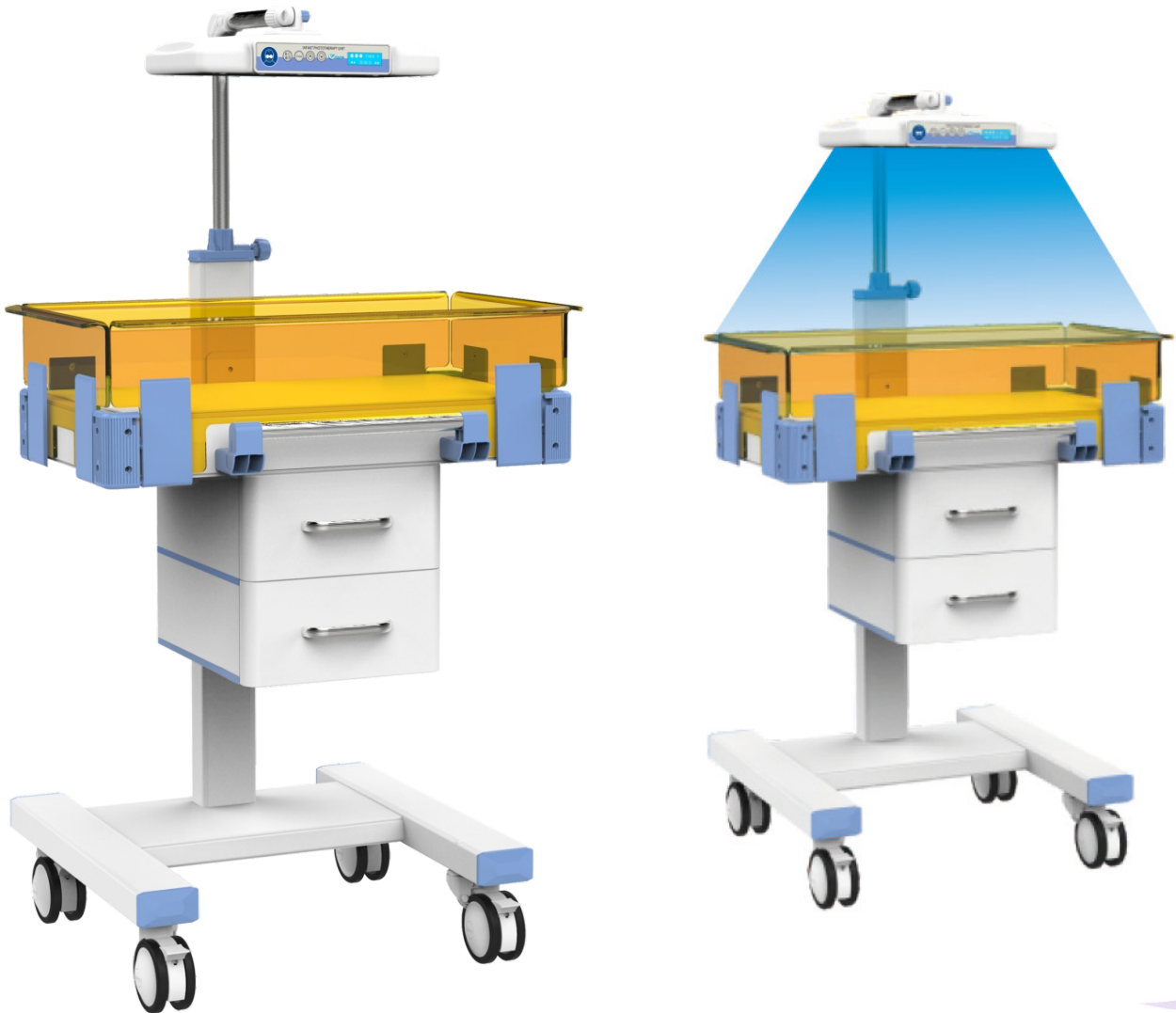


INTENSIVE CARES



ESBL-200D

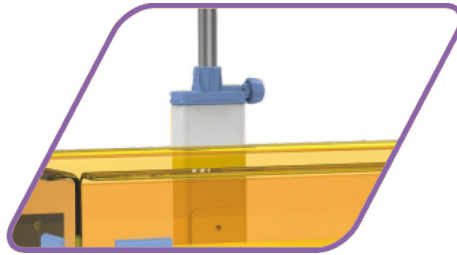
Infant Phototherapy Unit



- Double phototherapy sides for more effective radiation:
Upside phototherapy and downside phototherapy can be used separately.
- Adjustable irradiation intensity by three levels: Low / Medium / High.
- Upside phototherapy LCD screen to display therapy time with timer and countdown.
- Upside big LED Blue light radiant source with long lifespan.
- Downside phototherapy unit with LED light source and independent air circulation cooling device.
- Foldable transparent side protections.
- Adjustable upside light head $\pm 360^\circ$ and $\pm 180^\circ$ vertically.



Blue light LED bulbs



Up/Down function



Movable lamp holder

- Adjustable stand column $\pm 360^\circ$
- Easy to use and move, highly stable.
- Anti-rusty aluminium-magnesium alloy covered base.
- Adjustable upside phototherapy height from 850mm to 1640mm (from light head to floor).
- Automatic recording of total used therapy time (20000 hours)
- Strong power adaptability and stability with wide voltage constant current source
- With drawers and lockable wheels



Technical Features

Power supply	AC 100~240V±22V ,50/60Hz±1Hz
Power input	40VA
Blue light wavelength	420nm~490nm
Life time of LED bulbs	20000 hours

Downside Phototherapy Unit

Highest total irradiance for bilirubin on effective area : 1500μW/cm²

Upside phototherapy unit

Radiation distance: 500mm , Efficiency radiation area: 600 x 300mm

	Average of total irradiance for bilirubin(μW/cm ²)	Highest total irradiance for bilirubin(μW/cm ²)
H	1415	1620
M	1000	1200
L	400	480

Radiation distance: 360 mm, Efficiency radiation area: 500 x 300mm

	Average of total irradiance for bilirubin(μW/cm ²)	Highest total irradiance for bilirubin(μW/cm ²)
H	2000	2800
M	1400	2000
L	620	800

Working environment

Ambient temperature	+18°C~+30°C
Relative humidity	10%~85%
Atmospheric pressure	700hpa~1060hpa

Transport and storage

Environment Temperature	-10°C ~ +55°C
Environment Relative Humidity	≤95%
Atmospheric Pressure	500~1060hPa



ESSE3 srl, Via Garibaldi 30
14022 Castelnuovo D.B. (AT)
Tel +39 011 99 27 706
Fax +39 011 99 27 506
e-mail: esse3@chierinet.it
web: www.esse3-medical.com

